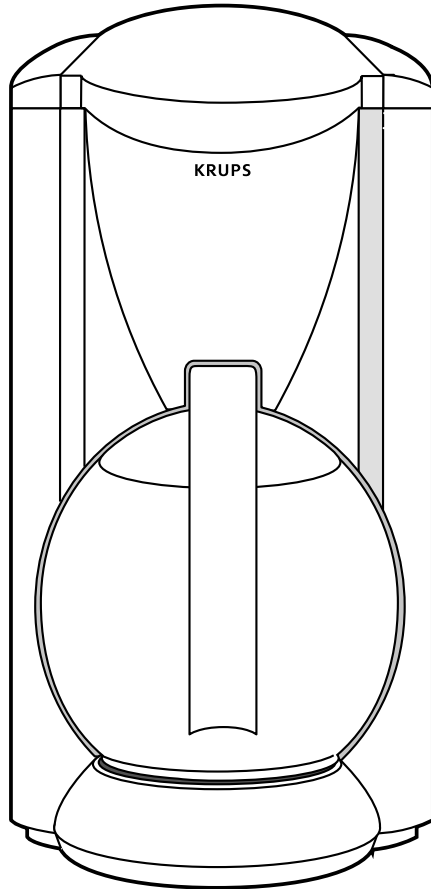
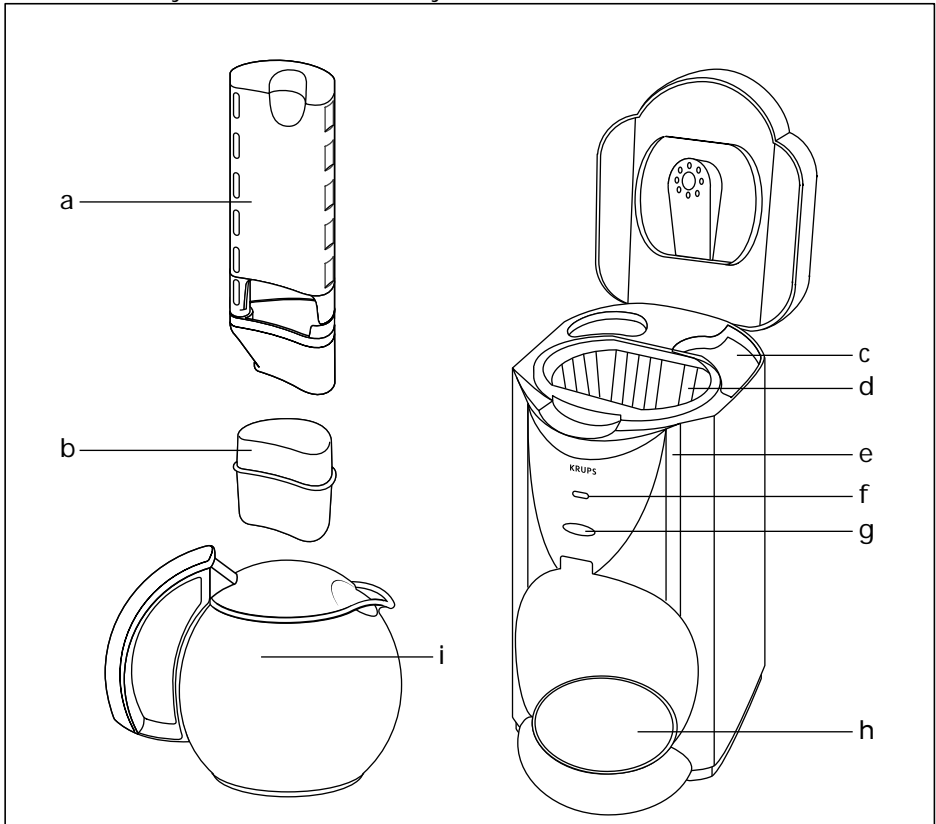


KRUPS

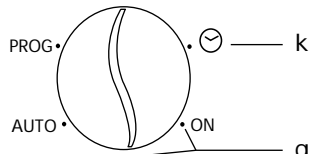


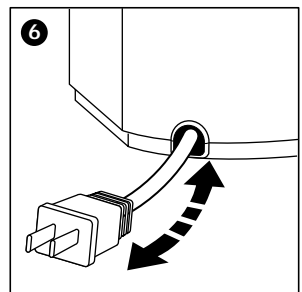
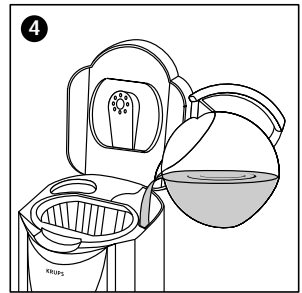
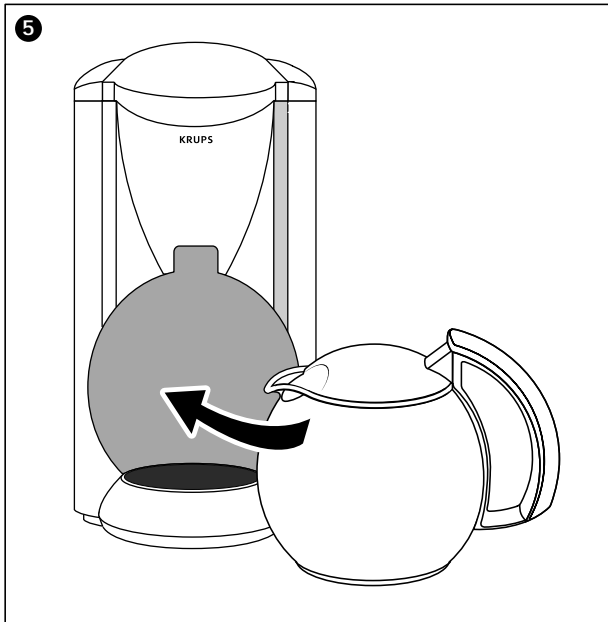
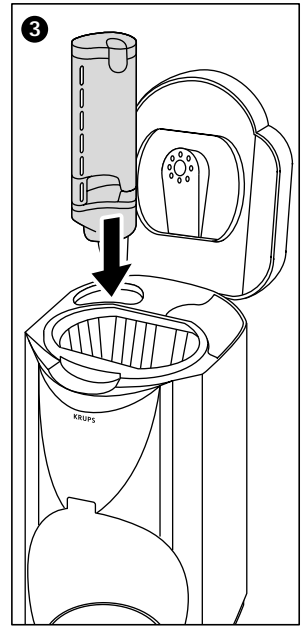
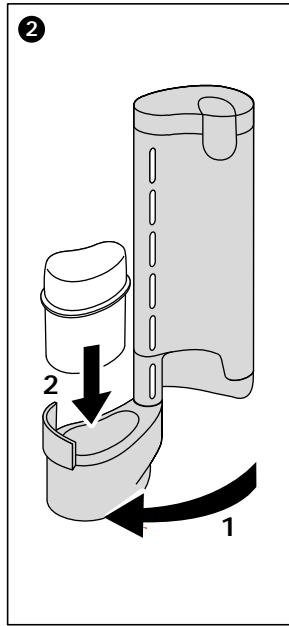
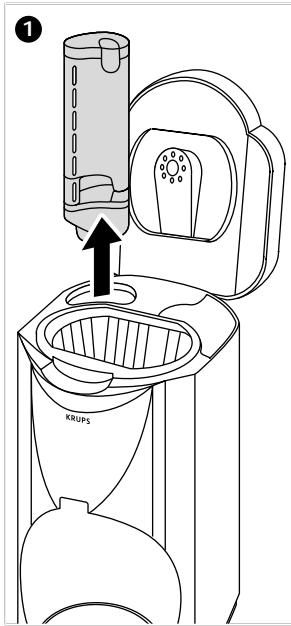
KRUPS Crystal Arome Plus / Crystal Arome Plus Time



KRUPS Crystal Arome Plus Time

j





KRUPS

Crystal Arome Plus

Art. 466

Crystal Arome Plus Time

Art. 467

USA

6

Instructions for Use

Warranty

Guarantee of performance

Français

13

Mode d'emploi

Garantie

Garantie de rendement

Español

21

Instrucciones de uso

Garantía

Garantía de rendimiento

IMPORTANT SAFEGUARDS

When using electrical appliances, basic safety precautions should always be followed to reduce the risk of fire, electric shock, and/or injury to persons including the following :

1. Read all instructions.
2. Do not touch hot surfaces. Use handles or knobs.
3. To protect against fire, electric shock and injury to persons, do not immerse cord, plugs or appliance in water or other liquid.
4. Close supervision is necessary when any appliance is used by or near children.
5. Unplug from outlet when not in use and before cleaning. Allow to cool before putting on or taking off parts, and before cleaning the appliance.
6. Do not operate any appliance with a damaged cord or plug or after the appliance malfunctions, or has been damaged in any manner. Return appliance to the nearest KRUPS Service Center for examination, repair or adjustment.
7. The use of accessory attachments not recommended by KRUPS may result in fire, electric shock or injury to persons.
8. Do not use outdoors.
9. Do not let cord hang over edge of table or counter, or touch hot surfaces.
10. Do not place on or near a hot gas or electric burner, or in a heated oven.
11. To disconnect, turn any control to «off» then remove plug from wall outlet.
12. Do not use the appliance for other than intended use.
13. Scalding may occur if the lid is removed during the brewing cycles.
14. Do not pour liquids other than water and descaling solutions specified in this manual into the water tank.

15. The glass carafe is designed for use with this appliance. It must never be used on a range top.
16. Do not set a hot glass carafe on a wet or cold surface.
17. Do not use a cracked glass carafe or a glass carafe having a loose or weakened handle.
18. Do not clean glass carafe with cleansers, steel wool pads, or other abrasive material.

SAVE THESE INSTRUCTIONS

SHORT CORD INSTRUCTIONS

- A. A short power supply cord is to be provided to reduce risks resulting from becoming entangled in or tripping over a longer cord.
- B. Extension cords are available and may be used if care is exercised in their use.
- C. If an extension cord is used,
 - 1) the marked electrical rating of the extension cord should be at least as great as the electrical rating of the appliance,
 - 2) the longer cord should be arranged so that it will not drape over the counter top or table top where it can be pulled on by children or tripped over.
- D. This appliance has a polarized plug (one blade is wider than other). To reduce risks of electric shock, this plug is intended to fit into a polarized outlet only one way. If the plug does not fit fully into the outlet, reverse the plug. If it still does not fit, contact a qualified electrician. Do not attempt to modify the plug in any way.

Description

- a Duo Filter holder
- b Anti-chlorine / Anti-scale Duo Filter
- c Water tank
- d Removable filter holder
- e Water level indicator
- f Duo Filter replacement indicator (according to model)
- g On/Off switch (according to model)
- h Warming plate
- i Glass carafe
- j Control panel
- k Time setting
- l On/Off indicator
- m Duo Filter replacement reset button

Advantages of the Crystal Arome Plus/Crystal Arome Plus Time

• The “ Duo Filter ”: a double action anti-chlorine and anti-scale filter

The elements which go into the “ Duo Filter ” (active vegetable based carbon and anti-scale resin) comply with current food safety legislation. Its silver salt processing acts as an anti-bacteria agent, for consumer safety. This filter has been tested successfully by recognized laboratories.

The vegetable-based and non-pollutive filter can be disposed of as domestic waste

The anti-chlorine action of the filter will give the coffee more delicate flavor. Tap-water often contains amounts of chlorine which will hinder the flavor. The “ Duo Filter ” eliminates the chlorine so that the smell and taste of the coffee are more perceptible.

The anti-scale filter will prolong the working life of your coffee-machine and will result in less frequent need to decalcify.

• Hermetic Coffee-carafe

The Hermetic coffee-carafe has a lid without a central hole, and an insulating grid on the pouring-lip. This design considerably reduces heat loss and preserves all the flavor of the coffee. It also prevents the entrance of air from the outside, which oxidizes the coffee and evaporates the aroma.

This coffee-carafe can be used in a microwave oven.

• “Stop ‘n Serve” Feature

Lets you pour a cup or two while brewing. The automatic filter seal will allow you to remove the carafe for 20 seconds without dripping coffee onto the warming plate.

• 24 Hour Programmable Timer (model #467)

Lets you program the coffee maker for convenient “wake-up” coffee.

• Programmable Auto Shut-Off (model #467)

Lets coffee stay hot from 1-5 hours before turning itself off.

Before first use

Setting the time (model #467)

- Plug in the KRUPS “Crystal Arome Plus Time”. Make sure the control panel (j) is in the “off” position.
- The LCD display will be flashing intermittently. This is your signal to set the digital clock.
- Turn the selector switch to position ☺ (k). Set the hours and minutes by pressing the “H” and “min” buttons respectively. The time is now set.

Running with water only

- Before making your first pot of delicious coffee, we recommend operating the coffee maker once or twice with water only, without ground coffee or the Duo Filter to remove any possible dust.
- Be sure that the water container is empty.
- To remove the lid of the glass carafe, pick it up from the back and lift.

- To replace the lid, put the front in place first and then snap the back down into place.
- Always place the glass carafe securely in place with the handle facing out and centered.

Inserting the “Duo Filter”

- Remove the DuoFilter (b) from its plastic bag. Rinse in tap water.
- Open the hinged lid of the coffee maker and remove the DuoFilter holder (a) (**see figure 1**).
- Pivot the lower part of the holder and insert the DuoFilter into its housing (**see figure 2**).
- Replace the holder in the coffee maker and your machine is now ready for use (**see figure 3**).

Preparing coffee

Filling the water chamber

- Open the hinged lid. Using the glass carafe, pour in the desired quantity of cold water. (**See figure 4**). The water level indicator shows how much water you are filling into the container.
- The amount of freshly brewed coffee delivered after the brewing process will always be slightly less than the amount put into the water container. This is due to the minimum absorption of the water by the ground coffee. Therefore, it is recommended that you add a little extra water at the beginning so that you will have the number of cups you desire.
- Replace the glass carafe on the warming plate with the lid in position. (**See figure 5**).

Putting in the ground coffee

- With the hinged lid opened, insert a size 4 paper filter (KRUPS #983) or Gold Tone Filter (KRUPS #026) into the the filter holder. You can purchase KRUPS size 4 paper filters (#983) or KRUPS Crystal Arome Gold Tone Filter (#026) at your local KRUPS retailer or by calling the KRUPS Consumer Service Department at 1-800-526-5377, 24 hours a day, 7 days a week.

- We suggest using one level KRUPS measuring scoop of ground coffee for each cup of robust coffee. After using your KRUPS coffee maker several times, you can adjust the measure to suit your own taste.
- Close the hinged lid, making sure that the filter holder is securely in place.
- Turn the machine on (g). An indicator light will illuminate.

“Stop ‘n Serve” feature

The “Stop ‘n Serve” feature is KRUPS answer to the impatient coffee drinker’s clamor for “a quick cup of coffee!” This device automatically stops the flow of brewed coffee through the filter cone if the glass carafe is removed from the warming plate during the brewing cycle. You have about 20 seconds between the removal of the carafe and its being reinserted to pour one or two cups of coffee. The “Stop’n Serve” device closes off the filter cone so effectively that there is virtually no coffee-drip onto the warming plate. Once the carafe is replaced, the brewing cycle and the flow of coffee into the carafe are resumed.



If coffee does drip onto the warming plate after removal of the carafe, it is usually an indication that too much ground coffee has been placed into the paper filter. This causes the water that jets into the filter cone to overflow between the paper filter and the sides of the filter cone. The overflow carries coffee grounds that interfere with the snapshot action of the filter holder, thus allowing brewed coffee to continue to drip through.

If this blockage and subsequent dripping do occur, replace the glass carafe immediately and allow the full brewing cycle to brewing cycle to run its course, Do not remove the filter until the brewing cycle is completed.

Preparing “wake-Up” coffee (model #467)

This feature enables you to enjoy freshly brewed coffee at any pre-selected time within a 24-hour period.

- First set the digital clock (see “Setting the time”)

- Turn the selector switch to the **“Prog”** Setting. The ☑ symbol will flash intermittently in the display area. Set the hour and minutes in which you would like the brewing process to commence by pressing the **“H”** and **“min”** buttons respectively. **“Wake-Up”** time is now set.
- Fill the water chamber to the desired number of cups. Place the carafe back on the warming plate. Put in ground coffee. Turn the selector switch to the **“Auto”** setting. The ☑ symbol will remain constant in the display, indicating that the coffee maker has been programmed. At the pre-programmed time, the indicator light will illuminate, indicating that the brewing process has begun.

NOTE: If the selector switch is left in the **“Auto”** position, the coffee maker will turn itself on everyday at the pre-programmed time. If you do not wish for this to occur, turn the coffee maker to the **“Off”** position after each use.

Programming auto shut-off (model #467)

The programmable auto shut-off feature allows you to keep coffee hot for up to 5 hours, and to shut off automatically, to suit your needs. The auto shut-off will initially be set to shut-off after 1 hour, unless otherwise programmed. Auto shut-off will be effective not only when you are manually preparing coffee, but also when used with the wake-up timer.

When you first plug in the coffee maker, the auto shut-off will be programmed for 1 hour. To adjust the keep warm time:

- Turn the switch to the **“Off”** position.
- Press the **“min”** button. The blinking cup will appear in the display and auto shut off will be set at 1 hour.
- You can increase the keep warm time in increments of 1 hour, up to 5 hours by keeping the **“min”** button pressed and additionally pressing the **“H”** button.
- Once you have programmed the keep warm time, it will be stored in memory until manually changed.
- If no keep warm time is set, the coffee maker will automatically shut itself off after 1 hour.

Maintenance

Replacing the “ Duo Filter ”

- For the non-time model (#466), the Duo Filter replacement indicator (f) will turn red when it is time to change the filter. The indicator light will remain red for five uses and then will return to white automatically.
- For the timer model (#467), the Duo Filter replacement indicator (f) will flash. After replacing the Duo Filter, press the reset button (m) with a pointed item.
- To replace the Duo Filter, see “Inserting the Duo Filter” in the “Before First Use” section.

IMPORTANT:

- It is recommended to replace the Duo Filter at least once every 3 months. You can purchase the DuoFilter (Model #472) at your local KRUPS retailer or by calling KRUPS Consumer Service Department at 1-800-526-5377, 24 hours a day, 7 days a week.
- If the machine will not be in use for an extended period of time, rinse the Duo Filter with running water and clean the coffee maker.
- Only use drinking water with the DuoFilter.

Decalcifying

When to decalcify:

- Minerals found in water can clog the coffee maker or reduce its speed. You will know when such a cleaning is necessary by an obvious slowdown in the brewing time. This extended time indicates that there is a calcium deposit in your coffee maker.
- Thanks to the anti-scale action of the Duo Filter you will generally only need to descale every two to four months depending on the hardness level of your water.

To decalcify:

- Fill the carafe one quarter full of vinegar, then add cold tap water to the top. Pour the water/vinegar mixture into the reservoir opening.
- Place the empty carafe on the warming plate and turn on the machine. After the water/

vinegar mixture has been cycled through, turn off the machine.

- Rinse by cycling two or three more carafes of plain cold tap water.
- Do not pour any liquid other than cold tap water with vinegar into water chamber when cleaning.

Attention: Do not leave solution within reach of children.

Cleaning

- Always unplug the coffee maker before cleaning.
- Remove the filter holder and clean the filter holder, the carafe and carafe lid in a solution of hot water and mild liquid soap. These parts can also be placed in the upper level of your dishwasher for safe effective cleaning.
- Never use scouring agents.
- Never immerse the appliance itself in water or any other liquid. To clean, simply wipe off with a soft, damp cloth.
- Never use a cloth to clean the inside of the water chamber, as this might leave fuzzy deposits in the chamber. Just rinse with cold water, periodically.

Accessories

Duo Filter 2 Pack	Model # 472
Gold Tone Filter	Model # 026
Paper Filter	Model # 983
Glass Carafe and Lid	Model # 589

You can purchase KRUPS accessories at your local KRUPS retailer or by calling KRUPS Consumer Service Department at 1-800-526-5377, 24 hours a day, 7 days a week.

Hidden cord storage

- The power cord can be tailored to the length required by utilizing the hidden cord storage located behind the coffeemaker (**See figure 6**).

For best results

..... always use fresh, cold water (warm water might be stale and have mineral deposits which would impair the flavor of the coffee).

..... we recommend that you grind your own beans. Freshly ground beans deliver more aroma and flavor. Use one KRUPS measuring scoop of beans per cup.

..... serve coffee immediately after brewing.

..... never reheat coffee.

Disposal

- The packaging comprises exclusively environmentally-friendly materials which should be disposed of according to the local recycling arrangements.
- Disposal methods for the appliance itself can be found by inquiry at the appropriate department of the local authority.

Limited One Year Warranty

Your KRUPS #466 or #467 is covered by the following warranty :

If from date of purchase within one year this KRUPS product fails to function because of defects in materials or workmanship, KRUPS North America will, at its option, repair or replace the unit with our charge, provided the owner has a proof of date of purchase.

This warranty will be void if malfunction was caused by damage to the product by accident, misuse, use on frequency or voltage other than marked on the product and/or described in the instructions, abuse including tampering, damage in transit, or use for commercial purposes. This warranty gives you specific legal rights, and you may also have other rights which may vary from state to state.

GUARANTEE OF PERFORMANCE

This fine KRUPS product is manufactured according to a rigid code of quality standards, and, with minimum care, should give years of service. However, should the need arise for repairs or for replacement parts within or after the warranty period, please call our CONSUMER SERVICE DEPARTMENT:

USA : (800) 526-5377
24-hours a day, 7 days a week

Canada : (1) 416 293 9411
Monday-Friday 8:00 a.m - 4:30 p.m

You will be provided with specific instruction on how to get your product repaired.
The department will also be able to answer any general product questions you may have.

Before calling the Consumer Service Department, please have the type number of your KRUPS appliance available.
You must have this information before calling our Consumer Service Department so that we may better answer your questions. The type number can be located by looking at the bottom of your appliance.

This product is Type #F 466 or F 467

Any general correspondence can be addressed to:

USA : KRUPS North America, Inc.
P.O. Box 3900
Peoria, IL 61612

Canada : KRUPS Service
A division of Groupe SEB Canada Inc
455 Finchdene Square - Scarborough
Ontario M1X 1B7

PRECAUTIONS IMPORTANTES

Des règles de sécurité essentielles doivent toujours être respectées lors de l'utilisation d'appareils électriques, afin de réduire les risques d'incendie, de choc électrique et/ou de dommages corporels et il convient en particulier de respecter ce qui suit :

- 1. Lisez toutes les instructions.**
- 2. Ne touchez pas les surfaces chaudes. Utilisez les poignées ou les boutons.**
- 3. Pour éviter les feux, les chocs électriques ou les dommages corporels, ne plongez pas le cordon, les prises ou l'appareil dans l'eau ou dans d'autres liquides.**
- 4. Une surveillance étroite est requise quand l'appareil est utilisé par des enfants ou à proximité d'enfants.**
- 5. Débranchez toujours l'appareil quand vous ne l'utilisez pas ou avant de le nettoyer. Laissez le refroidir avant de remettre ou d'enlever des pièces et avant de le nettoyer.**
- 6. Ne faites jamais fonctionner un appareil avec une prise ou un cordon endommagé, après un mauvais fonctionnement ou un dommage quelconque. Envoyez l'appareil au centre de service après vente KRUPS pour le faire examiner, réparer ou régler.**
- 7. L'utilisation de pièces qui ne sont pas recommandées par KRUPS peut entraîner des incendies, des chocs électriques ou des dommages corporels.**
- 8. N'utilisez pas l'appareil à l'extérieur.**
- 9. Ne laissez pas le cordon pendre du bord de la table ou du meuble, ni non plus toucher des surfaces chaudes.**
- 10. Ne mettez pas l'appareil sur un feu de gaz ou une plaque électrique, ou à proximité, ou dans un four chaud.**
- 11. Pour débrancher l'appareil, tournez toutes les commandes sur arrêt (OFF), puis enlevez le fil de la prise murale.**
- 12. N'utilisez pas l'appareil pour un usage autre que celui qui est prévu.**
- 13. Il y a un risque de s'ébouillanter, si le couvercle est enlevé pendant la préparation du café.**
- 14. Ne versez jamais d'autres liquides que de l'eau ou les solutions de détartrage indiquées dans le manuel dans le réservoir à eau.**
- 15. La carafe en verre est conçue pour être utilisée avec l'appareil. Elle ne doit jamais être utilisée sur une cuisinière.**

16. Ne posez pas une carafe en verre chaude sur une surface humide ou froide.
17. Ne vous servez pas d'une carafe en verre fissurée ou ayant une poignée desserrée ou fragile.
18. Ne nettoyez pas la carafe en verre avec des détergents, des tampons métalliques ou d'autres produits ou matériaux abrasifs.

CONSERVEZ CES INSTRUCTIONS

INSTRUCTIONS RELATIVES AU CORDON COURT

- A. Il convient d'utiliser un cordon d'alimentation électrique court pour réduire les risques de s'emmêler ou de se prendre les pieds dans un cordon électrique long.
- B. Des rallonges existent et il est possible de les utiliser, sous réserve d'être prudent.
- C. Si une rallonge est utilisée :
 - 1) Les caractéristiques électriques nominales indiquées de la rallonge doivent être au moins équivalentes aux caractéristiques électriques de l'appareil,
 - 2) Le cordon le plus long doit être disposé de telle sorte qu'il ne pende pas de la tablette ou de la table; les enfants ne doivent pas pouvoir tirer sur le cordon. Il ne doit pas non plus être possible de se prendre les pieds dedans.
- D. Cet appareil possède une prise polarisée (une lame est plus large que l'autre). Afin de réduire les risques de choc électrique, cette prise est conçue pour s'adapter d'une seule façon dans une prise de terre. Si la prise ne s'adapte pas parfaitement dans l'alimentation, inversez la position de la prise. Si elle ne s'adapte toujours pas, contactez un électricien qualifié. N'essayez pas de modifier la prise, de quelque façon que ce soit.

Description

- a** Porte-filtre Duo
- b** Filtre Duo anti-chlore / anti-tartre
- c** Réservoir à eau
- d** Porte-filtre amovible
- e** Indicateur de niveau d'eau
- f** Indicateur pour le remplacement de filtre Duo (selon modèle)
- g** Interrupteur marche/arrêt (selon modèle)
- h** Plaque chauffante
- i** Carafe verre
- j** Panneau de commande
- k** Réglage du temps
- l** Indicateur marche/arrêt
- m** Bouton de rechange de filtre Duo

Avantages de Crystal Arome Plus/Crystal Arome Plus Time

• Le «Filtre Duo» : filtre double action anti-chlore/anti-tartre

Les éléments qui sont utilisés dans le «Filtre Duo» (charbon actif végétal et résine anti-tartre) sont conformes à la législation actuelle sur la sécurité des aliments. Son traitement au sel d'argent agit comme agent bactéricide pour assurer la sécurité du consommateur. Ce filtre a été testé avec succès par des laboratoires reconnus.

Le filtre végétal et non polluant peut être jeté dans les ordures ménagères.

L'action anti-chlore du filtre donne au café une saveur plus délicate. L'eau du robinet contient souvent des quantités importantes de chlore qui perturbent le goût. Le «Filtre Duo» élimine le chlore, de sorte que l'odeur et le goût du café sont mieux perceptibles.

Le filtre anti-tartre prolongera la durée de vie utile de votre machine à café et rendra le détartrage moins fréquent.

• Carafe à café hermétique

La carafe à café hermétique possède un couvercle sans ouverture centrale et une grille isolante sur le bec verseur. Cette conception réduit considérablement la perte de chaleur et préserve toute la saveur du café. Elle empêche également l'entrée d'air depuis l'extérieur qui oxyde le café et fait s'évaporer l'arôme.

Cette carafe à café peut être utilisée dans un four à micro-onde.

• Fonction «Stop 'n Serve»

Versez-vous une tasse ou deux pendant la préparation. Le joint étanche automatique du filtre vous permet de retirer la carafe pendant 20 secondes sans laisser tomber de café sur la plaque chauffante.

• Minuterie programmable sur 24 heures (modèle n° 467)

Cette fonction vous permet de programmer la cafetière pour avoir votre café du matin.

• Fermeture programmable automatique (modèle n° 467)

Cette fonction permet de conserver le café chaud pendant 1 à 5 heures avant arrêt automatique.

Avant la première utilisation

Réglage du temps (modèle n° 467)

- Branchez la cafetière KRUPS «Crystal Arome Plus Time». Assurez-vous que le panneau de commande (j) est sur la position «**arrêt**» (off).
- L'affichage à cristaux liquides clignote de façon intermittente. Ceci est votre signal pour régler la minuterie numérique.
- Mettez le bouton de sélection sur la position (k). Réglez les heures et les minutes en appuyant respectivement sur les boutons «**H**» et «**min**». Le temps est maintenant réglé.

Fonctionnement à l'eau uniquement

- Avant de préparer votre premier café, nous vous recommandons de faire fonctionner une fois ou deux la machine à café avec de l'eau uniquement, sans café moulu ou filtre Duo, pour éliminer toute poussière éventuelle.
- Assurez-vous que le réservoir à eau est vide.
- Pour enlever le couvercle de la carafe en verre, prenez-le par l'arrière et soulevez.
- Pour replacer le couvercle, positionnez d'abord l'avant et pressez ensuite à partir de l'arrière pour fixer le couvercle.
- Placez toujours la carafe de verre de façon sûre, avec la poignée tournée vers l'extérieur, bien au centre.

Mise en place du «filtre Duo»

- Retirez le filtre Duo (b) de son sachet plastique. Rincez à l'eau du robinet.
- Ouvrez le couvercle articulé de la machine à café et enlevez le porte-filtre Duo (a) (**voir figure 1**).
- Faites pivoter la partie inférieure du porte-filtre et insérez le filtre Duo dans son logement (**voir figure 2**).
- Remplacez le porte-filtre dans la machine à café et votre machine est maintenant prête à être utilisée (**voir figure 3**).

Préparation du café

Remplissage du compartiment à eau

- Ouvrez le couvercle articulé. Avec la carafe en verre, versez la quantité d'eau froide voulue (**voir figure 4**). L'indicateur de niveau d'eau montre la quantité d'eau que vous remplissez dans le réservoir.
 - La quantité de café fraîchement fait, fournie à l'issue du processus de préparation, sera toujours légèrement inférieure à la quantité remplie dans le réservoir à eau. Ceci est dû à une absorption minimum de l'eau par le café moulu. Par conséquent, il est recommandé de rajouter un peu d'eau en plus au début, pour obtenir le nombre de tasses souhaité.

- Remplacez la carafe en verre sur la plaque chauffante avec le couvercle en place (**voir figure 5**).

Remplissage de café moulu

- Avec le couvercle articulé ouvert, insérez un filtre papier de taille 4 (KRUPS n° 983) ou un filtre Gold Tone (KRUPS n° 026) dans le porte-filtre. Vous pouvez acheter des filtres papier KRUPS de taille 4 (n° 983) ou des filtres Gold Tone KRUPS Crystal Arome (n° 026) chez votre détaillant KRUPS local ou en appelant le service consommateurs KRUPS au 1-800-526-5377, 24 h/24, 7 jours sur 7.
- Nous conseillons d'utiliser une cuillère rase KRUPS de café moulu par tasse de café corsé. Après avoir ainsi utilisé plusieurs fois votre cafetière, vous pouvez régler la mesure de dosage en fonction de votre goût.
- Fermez le couvercle articulé, en vous assurant que le porte-filtre est bien solidement en place.
- Mettez l'appareil en marche sur (g). Un voyant s'allumera.

Fonction «Stop'n Serve»

La fonction «Stop'n Serve» est une réponse de KRUPS aux consommateurs de café impatients ! Ce système arrête automatiquement l'écoulement de café prêt à travers le cône du filtre, si la carafe en verre est enlevée de la plaque chauffante en cours de préparation. Vous disposez d'environ 20 secondes entre le retrait de la carafe et sa remise en place pour vous verser une ou deux tasses de café. Le système «Stop'n Serve» ferme le cône de filtre avec une telle efficacité qu'il n'y a pratiquement aucune goutte de café sur la plaque chauffante. Une fois la carafe remise en place, le cycle de préparation et l'écoulement du café dans la carafe reprennent.





Si du café tombe sur la plaque chauffante une fois la carafe enlevée, c'est généralement le signe qu'une trop grande quantité de café moulu a été placée dans le filtre papier. Ceci entraîne le débordement du jet d'eau tombant dans le cône de filtre entre le filtre en papier et les côtés du cône portant le filtre. Le débordement entraîne du café moulu qui gêne l'action de fermeture rapide du porte-filtre, ce qui permet au café liquide de continuer à égoutter au dehors.

Si ce blocage se produit, suivi d'un égouttement, remettez immédiatement la carafe en place et laissez la séquence complète entre deux cycles de préparation se terminer entièrement. Ne retirez pas le filtre avant que le cycle de préparation soit totalement terminé.

Préparation du café du matin «Wake-up» (réveil) (modèle n°467)

Cette fonction vous permet de déguster un café qui vient tout juste d'être préparé, à tout moment choisi d'avance sur une période de 24 heures.

- Réglez tout d'abord la minuterie numérique (voir «Réglage du temps»)
- Tournez le bouton de sélection sur la position **«Prog»**. Le symbole  correspondant clignote de façon intermittente sur l'affichage. Réglez les heures et les minutes correspondant au moment où vous voulez que commence le cycle de préparation en appuyant respectivement sur les boutons **«H»** et **«min»**. L'heure du déclenchement automatique **«Wake-Up»** est maintenant réglée.
- Remplissez le réservoir à eau pour le nombre de tasses souhaité. Remplacez la carafe sur la plaque chauffante. Mettez du café moulu. Tournez le bouton de sélection sur la position **«Auto»**. Le symbole  restera en permanence sur l'affichage pour indiquer que la machine à café a été programmée. À l'heure programmée d'avance, le voyant s'allumera pour signaler que le processus de préparation a commencé.

NOTE : Si le bouton de sélection est laissé sur la position **«Auto»**, la machine à café se mettra en marche automatiquement chaque

jour à l'heure programmée. Si vous ne voulez pas que cela se produise, mettez la machine à café en position **«Arrêt»** (Off) après chaque utilisation.

Programmation de l'arrêt automatique (modèle n° 467)

La fonction programmable d'arrêt automatique vous permet de garder le café chaud pendant 5 heures et d'arrêter la machine automatiquement selon vos besoins. L'arrêt automatique est réglé initialement à 1 heure, sauf programmation différente. L'arrêt automatique fonctionnera non seulement quand vous préparez le café manuellement, mais aussi quand la fonction «wake-up» est utilisée.

Quand vous branchez pour la première fois la machine à café, la fonction d'arrêt automatique est programmée pour 1 heure. Pour régler la durée de chauffage :

- Tournez le sélecteur sur la position **«Arrêt»** (Off).
- Appuyez sur le bouton **«min»**. La tasse clignotante apparaîtra sur l'affichage et l'arrêt automatique sera réglé pour 1 heure.
- Vous pouvez accroître le temps de chauffage par pas de 1 heure, jusqu'à un maximum de 5 heures en maintenant le bouton **«min»** enfoncé et en appuyant en outre sur le bouton **«H»**.
- Une fois que vous avez programmé le temps de chauffage, il sera conservé en mémoire jusqu'à ce qu'il soit changé manuellement.
- Si aucune durée de chauffage n'est réglée, la machine à café s'arrêtera automatiquement au bout d'une heure.

Maintenance

Remplacement du «filtre Duo»

- Sur le modèle sans minuterie (n° 466), l'indicateur pour le remplacement du filtre Duo (f) deviendra rouge quand il sera temps de changer le filtre. Le voyant indicateur restera rouge pendant cinq utilisations et redeviendra blanc automatiquement ensuite.

- Sur le modèle avec minuterie (n° 467), l'indicateur pour le remplacement du filtre Duo (f) clignotera. Après remplacement du filtre Duo, appuyez sur le bouton de redémarrage (reset) (m) avec un objet pointu.
- Pour remplacer le filtre Duo, voir «Mise en place du filtre Duo» dans la partie «Avant la première utilisation».

IMPORTANT :

- Il est recommandé de remplacer le filtre Duo au moins une fois tous les 3 mois. Vous pouvez acheter le filtre Duo (référence n° 472) chez votre détaillant local KRUPS ou en appelant le service consommateurs KRUPS au 1-800-526-5377, 24 h/24, 7/7 jours..
- Si la machine n'est pas utilisée pendant une durée prolongée, rincez le filtre Duo à l'eau courante et nettoyez l'appareil.
- N'utilisez que de l'eau potable avec le filtre Duo.

Détartrage

Quand détartre ?

- Les minéraux présents dans l'eau peuvent encrasser la machine à café ou ralentir sa vitesse. Vous saurez quand un nettoyage est nécessaire par un ralentissement évident du temps de préparation. Cette durée plus longue indique qu'il y a un dépôt de tartre dans votre machine à café.
- Grâce l'action anti-tartre du filtre Duo, vous n'aurez généralement qu'à détartre une fois tous les deux ou quatre mois, en fonction du degré de dureté de votre eau.

Pour détartre :

- Remplissez la carafe à un quart avec du vinaigre et complétez jusqu'en haut avec de l'eau froide du robinet. Versez le mélange eau/vinaigre dans l'ouverture du réservoir.
- Placez la carafe vide sur la plaque chauffante et mettez en route la machine. Une fois que le mélange eau/vinaigre a été passé, arrêtez la machine.
- Rincez en faisant passer deux ou trois carafes supplémentaires d'eau du robinet pure.

- Ne versez pas d'autres liquides que de l'eau froide du robinet avec du vinaigre dans le réservoir à eau lors du nettoyage.

Attention ! Ne laissez pas cette solution à portée des enfants.

Nettoyage

- Débranchez toujours la machine à café avant nettoyage.
- Enlevez le porte-filtre et nettoyez le porte-filtre, la carafe et le couvercle de carafe dans une solution d'eau chaude et de savon liquide doux. Ces pièces peuvent également être placées dans la partie supérieure de votre lave-vaisselle pour un lavage sûr et efficace.
- N'utilisez jamais de produits agressifs.
- Ne plongez jamais l'appareil lui-même dans l'eau ou dans tout autre liquide. Pour le nettoyer, essuyez le simplement avec un chiffon doux humide.
- N'utilisez jamais de chiffon pour nettoyer l'intérieur du compartiment à eau, car ceci peut laisser des dépôts pelucheux dans le compartiment. Rincez uniquement à l'eau froide périodiquement.

Accessoires

Filtre Duo 2 paquets	référence 472
Filtre Gold Tone	référence 026
Filtre papier	référence 983
Carafe verre et couvercle	référence 589

Vous pouvez acheter les accessoires KRUPS chez votre détaillant local KRUPS ou en appelant le service consommateurs KRUPS au 1-800-526-5377, 24 h/24, 7/7 j.

Rangement de cordon caché

- Le cordon d'alimentation peut être adapté à la longueur voulue en utilisant le cordon caché du rangement situé à l'arrière de la machine à café (**voir figure 6**).

Pour avoir les meilleurs résultats.....

.....utilisez toujours de l'eau froide propre (l'eau chaude peut manquer de fraîcheur et présenter des dépôts minéraux qui sont susceptibles de dégrader le goût du café).

.....nous vous recommandons de mouliner vos propres grains de café. Les grains de café moulus de frais dégagent plus d'arôme et de goût. Utilisez une dose KRUPS de grains de café par tasse.

.....servez le café immédiatement quand il est prêt.

.....ne réchauffez jamais le café.

Elimination

- L'emballage ne contient que des matériaux compatibles avec l'environnement qui doivent être éliminés conformément aux dispositions légales de recyclage en vigueur.
- Les méthodes d'éliminations pour l'appareil lui-même peuvent être obtenues sur demande auprès du service compétent de l'autorité locale.

Garantie limitée d'un an

Votre modèle KRUPS 466 ou 467 est couvert par la garantie suivante :

Si, pendant une durée d'un an à compter de la date d'achat, ce produit KRUPS ne fonctionne plus en raison de défauts de matériaux ou de main d'œuvre, KRUPS North America, à son entière discrétion, réparera ou remplacera à ses propres frais l'appareil, sous réserve que le propriétaire ait une preuve de la date d'achat.

Cette garantie sera nulle et non avenue, si le mauvais fonctionnement est dû à des dommages par suite d'accidents subis par le produit, à une utilisation non conforme, à une utilisation avec une fréquence ou une tension autre que celle indiquée sur le produit et/ou décrite dans les instructions, à des dommages dus à une intervention non autorisée, à des dommages pendant le transport ou à une utilisation dans des buts commerciaux. Cette garantie vous octroie des droits légaux spécifiques et vous pouvez en outre disposer d'autres droits pouvant varier suivant les états.

GARANTIE DE RENDEMENT

Cet appareil KRUPS de qualité est fabriqué suivant un code strict de normes de qualité et, avec un minimum de soin, devrait vous donner satisfaction pendant de longues années. Toutefois, si des réparations ou des pièces de rechange devaient se révéler nécessaires pendant ou après la période visée par la garantie, veuillez téléphoner à notre SERVICE À LA CLIENTÈLE :

USA : (800) 526-5377
24 heures sur 24, 7 jours sur 7

Canada : (1) 416 293 9411
Du lundi au vendredi, de 8h00 à 16h30

Vous recevrez des instructions précises sur la façon de faire réparer votre appareil.

Le service pourra aussi répondre à toute question générale que vous aimeriez poser au sujet des appareils.

Avant de téléphoner au Service à la clientèle, veuillez disposer du numéro du type de votre appareil KRUPS.

Vous devez posséder cette information avant de téléphoner à notre service à la clientèle pour nous permettre de mieux répondre à vos questions. Le numéro du type se trouve sur le fond de votre appareil.

Le présent appareil est du type n° F 466 ou F 467

Veuillez adresser toute correspondance générale à :

USA : KRUPS North America, Inc.
P.O. Box 3900
Peoria, IL 61612

Canada : Service KRUPS
A division of Groupe SEB Canada Inc
455 Finchdene Square - Scarborough
Ontario M1X 1B7

PRECAUCIONES IMPORTANTES

Quando se utilizan aparatos electrodomésticos, deben seguirse siempre unas precauciones de seguridad básicas encaminadas a reducir el riesgo de incendio, descargas eléctricas y/o heridas a las personas, entre las que se incluyen las siguientes:

- 1. Leer todas las instrucciones.**
- 2. No tocar superficies calientes. Utilizar asas o manillas.**
- 3. Como protección contra un posible incendio, descargas eléctricas o heridas a las personas, no sumergir el cable, el enchufe o el aparato electrodoméstico en agua u otro líquido.**
- 4. Es necesaria una vigilancia estrecha cuando el electrodoméstico es utilizado por niños o se encuentra cerca de éstos.**
- 5. Desenchufar el electrodoméstico de la toma de corriente eléctrica cuando no se use y antes de limpiarlo. Esperar a que se enfríe antes de ponerle o quitarle partes y antes de limpiarlo.**
- 6. No poner a funcionar ningún aparato electrodoméstico con el cable o el enchufe dañados o después de tener una avería o de haber sido dañado de alguna manera. Devolver el aparato al Centro de Servicio KRUPS más cercano para su examen, reparación o ajuste.**
- 7. El uso de accesorios de repuesto no recomendados por KRUPS puede causar un incendio, descargas eléctricas o herir a las personas.**
- 8. No utilizarlo al aire libre.**
- 9. No dejar el cable colgando sobre el borde de una mesa o un mostrador, ni en contacto con superficies calientes.**
- 10. No colocarlo sobre o cerca de un quemador eléctrico o de gas caliente, o sobre un horno encendido.**
- 11. Para desconectarlo, girar todos los mandos a «OFF» y luego desenchufarlo de la toma de corriente de la pared.**
- 12. No utilizar el aparato electrodoméstico para otro uso que para el que está destinado.**

13. Hay riesgo de escaldarse si se le quita la tapa durante el ciclo de elaboración del café.
14. No verter en el depósito de agua líquidos que no sean agua o las soluciones desincrustantes especificadas en este manual.
15. La jarra de cristal está diseñada para usarla con este aparato electrodoméstico. No debe utilizarse nunca con una gama superior.
16. No colocar una jarra de cristal caliente sobre una superficie fría o húmeda.
17. No utilizar jarras de cristal rajadas o con el asa suelta o debilitada.
18. No limpiar la jarra de cristal con productos químicos de limpieza, estropajos de virutas de acero u otros materiales abrasivos.

CONSERVAR ESTAS INSTRUCCIONES

INSTRUCCIONES SOBRE EL CABLE ELECTRICO CORTO

- A. El aparato está provisto de un cable de alimentación eléctrica corto para reducir el riesgo de enredarse o tropezar con él que conlleva el uso de un cable largo.
- B. Hay disponibles cables prolongadores que se pueden utilizar siempre que se tomen precauciones en su uso.
- C. Si se utiliza un cable prolongador:
 - 1) la intensidad de corriente nominal marcada en el cable prolongador deberá ser por lo menos tan alta como la intensidad de corriente nominal del aparato electrodoméstico.
 - 2) un cable más largo se colocará de forma que no cuelgue sobre la superficie de la mesa o del mostrador, donde se pueda tropezar con él o esté expuesto a un tirón de algún niño.

- D. Este aparato electroméstico tiene un enchufe polarizado (una patilla es más ancha que la otra). Para reducir el riesgo de una descarga eléctrica, este enchufe está previsto para enchufarlo de una única forma en una toma de corriente polarizada. Si el enchufe no encaja completamente en la toma de corriente, darle la vuelta. Si aún así tampoco encaja, póngase en contacto con un electricista cualificado. No intente manipular el enchufe de ninguna manera.**

Descripción

- a** Portafiltros doble
- b** Filtro doble anticloro / antiincrustante
- c** Depósito de agua
- d** Portafiltros desmontable
- e** Indicador del nivel de agua
- f** Indicador de sustitución del filtro doble (según el modelo)
- g** Interruptor ON/OFF (según el modelo)
- h** Placa de calentamiento
- i** Jarra de cristal
- j** Placa de mandos
- k** Ajuste del reloj
- l** Indicador luminoso de encendido (ON/OFF)
- m** Botón de reposición del indicador de sustitución del filtro doble

Ventajas del Crystal Arome Plus/Crystal Arome Plus Time

• El filtro doble: un filtro de doble acción anticloro y antiincrustaciones.

Los elementos que integran el filtro doble (carbón vegetal activo y resina anti-incrustación) cumplen con la legislación vigente sobre la seguridad alimentaria. Su fabricación de sal plateada actúa como agente antibacteriano, para seguridad del consumidor. Este filtro ha sido probado con éxito por reconocidos laboratorios.

El filtro de base vegetal y no contaminante se puede desechar con la basura doméstica.

La acción anticloro del filtro proporcionará al café un aroma más delicado. El agua corriente suele contener cloro en cantidades que ocultan el aroma. El filtro doble elimina el cloro de forma que se aprecian más el olor y el sabor.

El filtro antiincrustaciones prolongará la vida útil de su cafetera, con el resultado de que se presentará con menos frecuencia la necesidad de descalcificar.

• Jarra de café hermética.

La jarra de café hermética tiene una tapa con un agujero central y una rejilla aislante en el pico de la jarra. Este diseño reduce considerablemente la pérdida de calor y preserva todo el aroma del café. También evita la entrada de aire desde el exterior, que oxida el café y evapora el aroma.

Esta jarra de café puede utilizarse en un microondas.

• Función «Parar y servir».

Esta función le permite servir una taza o dos mientras se hace el café. El cierre automático del filtro le permitirá retirar la jarra durante 20 segundos sin que gotee café sobre la placa de calentamiento.

• Reloj programable 24 horas (modelo #467).

Le permite programar la cafetera para la hora más conveniente para disfrutar de un café «para despertar».

• Desconexión automática programable (modelo #467).

Permite tener el café caliente desde 1 hasta 5 horas antes de que la cafetera se desconecte por sí sola.

Antes del primer uso

Ajuste del reloj (modelo #467).

- Enchufar la cafetera «Crystal Arome Plus Time» KRUPS. Asegurarse de que la placa de mandos (j) está en la posición «off».
- El display LCD se pondrá a parpadear de forma intermitente. Esta es la señal para que procedamos a ajustar el reloj digital.
- Colocar el interruptor selector en la posición correspondiente (k). Ajustar hora y minutos pulsando los botones «H» y «min», respectivamente. De esta forma habremos ajustado la hora.

Uso sólo con agua.

- Antes de hacer su primera taza de delicioso café, le recomendamos hacer funcionar la cafetera una o dos veces sólo con agua, sin café molido ni el filtro doble, para remover cualquier posible suciedad.

- Asegurarse de que el depósito de agua está vacío.
- Para quitar la tapa de la jarra de café, cogerla por detrás y alzarla.
- Para volver a colocar la tapa, colocarla primero por la parte frontal y luego encajar la parte posterior en su sitio.
- Colocar siempre la jarra de café segura en su lugar, centrada y con el asa mirando hacia fuera.

Inserción del filtro doble.

- Sacar el filtro doble (b) de la bolsa de plástico. Lavarlo con agua del grifo.
- Abrir la tapa abisagrada de la cafetera y sacar el portafiltros (a) (**ver figura 1**).
- Hacer pivotar la parte inferior del portafiltros e insertar el filtro doble en su alojamiento (**ver figura 2**).
- Volver a alojar el portafiltros en la cafetera; acto seguido, la cafetera está lista para el uso (**ver figura 3**).

Preparación del café

Llenar el depósito de agua.

- Abrir la tapa abisagrada. Utilizando la jarra de cristal, verter la cantidad deseada de agua fría (**ver figura 4**). El indicador de nivel del agua muestra la cantidad de agua que estamos echando en el depósito.
- La cantidad obtenida de café recién hecho será siempre ligeramente menor que la cantidad de agua echada en el depósito. Esto se debe a la mínima cantidad de agua que absorbe el café molido. Por lo tanto, es recomendable añadir un poco de agua extra al principio para así obtener el número de tazas deseado.
- Volver a colocar la jarra de cristal sobre la placa de calentamiento con la tapa colocada (**ver figura 5**).

Colocación del café molido.

- Con la tapa abisagrada abierta, colocar un filtro de papel del tamaño 4 (KRUPS #983) o un filtro Gold Tone (KRUPS #026) en el portafiltros. Los filtros de papel tamaño 4 (KRUPS #983) o los filtros Crystal Arome Gold Tone (KRUPS #026) se pueden adquirir a cualquier minorista local de productos KRUPS o llamando al Departamento de Atención al Consumidor de KRUPS, al 1-800-526-5377, las 24 horas del día durante los 7 días de la semana.
- Aconsejamos poner una cucharada de café molido por cada taza de café fuerte, utilizando para ello la cuchara de medida KRUPS. Después de utilizar la cafetera KRUPS varias veces, se puede ajustar la medida para adaptarla a nuestro gusto.
- Cerrar la tapa abisagrada, asegurándose de que el portafiltros está bien ajustado en su lugar.
- Encender la máquina (g). Un piloto luminoso se encenderá.

Función «Parar y servir».

La función «Parar y servir» es la respuesta de KRUPS al clamor de los bebedores impacientes de café por «¡una taza de café, rápido!». Este aparato detiene automáticamente la salida del café a través del cono del filtro si se retira la jarra de cristal de la placa de calentamiento mientras se está haciendo el café. El usuario dispone de 20 segundos entre la retirada de la jarra para llenar una o dos tazas de café y la devolución a su lugar sobre la placa de calentamiento. El dispositivo «Parar y servir» cierra el cono del filtro de manera tan eficiente que prácticamente no cae ni una gota de café sobre la placa de calentamiento. Una vez devuelta a su lugar la jarra de cristal, se reanuda el ciclo de elaboración y la salida de café.



Si el café gotea sobre la placa de calentamiento tras la retirada de la jarra, esto suele ser una indicación de que se ha echado demasiado café molido en el filtro de papel. Esto hace que el agua que entra a chorro en el cono del filtro se desborde entre el filtro de papel y los lados del cono del filtro.

El agua rebosada arrastra café molido que interfiere con la acción instantánea de cierre del portafiltros, permitiendo así que el café continúe goteando.

Si se produce este bloqueo y el consiguiente goteo de café, vuelva a colocar inmediatamente la jarra de cristal y deje que el ciclo de elaboración del café siga su curso. No quite el filtro hasta que el ciclo de elaboración del café haya finalizado.

Preparación del café «para despertar» (modelo #467)

Esta función le permitirá disfrutar de café recién hecho en cualquier hora previamente seleccionada durante un período de 24 horas.

- En primer lugar, ajustar el reloj digital (ver «Ajuste de la hora»).
- Colocar el interruptor selector en la posición «**Prog**». El símbolo  parpadeará de forma intermitente en el display. Ajuste la hora y minutos a la que desearía que empiece a hacerse el café pulsando los botones «**H**» y «**min**», respectivamente. De esta manera tendrá ajustada la hora del café «**para despertar**».
- Llenar el depósito de agua para el número deseado de tazas. Colocar de nuevo la jarra sobre la placa de calentamiento. Echar el café molido. Colocar el interruptor selector en la posición «**Auto**». El símbolo  correspondiente se mantendrá constante en el display, indicando que la cafetera ha sido programada. A la hora programada, el indicador luminoso se encenderá, indicando el comienzo del proceso de elaboración del café.

NOTA: Si se deja el interruptor selector en la posición «**Auto**», la cafetera se encenderá automáticamente todos los días a la hora programada. Si no desea que ocurra esto, apague la cafetera (posición «**Off**») después de cada uso.

Programación de la desconexión automática (modelo #467)

La función de desconexión automática programable nos permite mantener el café caliente hasta 5 horas y luego desconectar la cafetera de forma automática, para adecuarlo a nuestras necesidades. La desconexión automática está ajustada inicialmente para desconectar transcurrida 1 hora, a no ser que se programe otra cosa. La desconexión automática será efectiva no sólo cuando estemos preparando café manualmente, sino también cuando se utiliza el temporizador del café para «despertar».

La primera vez que enchufamos la cafetera, la desconexión automática está programada para 1 hora. Para ajustar el tiempo que queremos mantener el café caliente:

- Colocar el interruptor selector en la posición «**Off**».
- Pulsar el botón «**min**». En el display aparecerá el símbolo de una taza parpadeando y la desconexión automática se ajustará para 1 hora.
- Se puede aumentar el tiempo que queremos mantener el café caliente en incrementos de 1 hora, hasta un máximo de 5 horas, manteniendo pulsado el botón «**min**» y pulsando adicionalmente el botón «**H**».
- Una vez programado el tiempo que queremos mantener el café caliente, este quedará guardado en memoria hasta que lo cambiemos manualmente.
- Si no se ajusta el tiempo para mantener el café caliente, la cafetera se desconectará ella misma automáticamente después de 1 hora.

Mantenimiento

Sustitución del filtro doble

- En el caso del modelo sin reloj (#466), el indicador de sustitución del filtro doble (f) se vuelve de color rojo cuando es el momento de cambiar el filtro. El piloto luminoso permanecerá en rojo durante cinco usos de la cafetera y luego volverá al color blanco automáticamente.

- En el modelo con reloj (#467), el indicador de sustitución del filtro doble (f) comienza a parpadear. Tras sustituir el filtro doble, hay que pulsar el botón de reposición (m) con un objeto puntiagudo.
- Para sustituir el filtro doble, vea «Colocación del filtro doble» en el párrafo «Antes del primer uso».

IMPORTANTE:

- Se recomienda sustituir el filtro doble al menos una vez cada 3 meses. El filtro doble (modelo #472) se puede adquirir en cualquier minorista de productos KRUPS o llamando al Departamento de Atención al Consumidor de KRUPS, al 1-800-526-5377, las 24 horas del día durante los 7 días de la semana.
- Si la cafetera va a estar sin utilizar durante un período largo de tiempo, lavar el filtro doble con agua corriente y limpiar la cafetera.
- Utilizar sólo agua potable para el filtro doble.

Descalcificación

Cuándo descalcificar:

- Los minerales que se encuentran en el agua pueden obstruir la cafetera o reducir su velocidad. Sabremos cuándo es necesaria esta limpieza por el retraso obvio en la preparación del café. Este aumento del tiempo indica que hay una acumulación de calcio en la cafetera.
- Gracias a la acción antiincrustante del filtro doble, por lo general sólo será necesario proceder a la desincrustación cada dos a cuatro meses, dependiendo del nivel de dureza del agua que utilizamos.

Para descalcificar:

- Llenar un cuarto de la jarra con vinagre, luego añadir agua fría del grifo hasta llenarla. Verter la mezcla de agua y vinagre por la abertura del depósito.
- Colocar la jarra vacía sobre la placa de calentamiento y encender la cafetera. Después de que la mezcla de agua y vinagre haya circulado por completo, apagar la máquina.

- Enjuagar pasando dos o tres jarras más de agua fría del grifo sin mezclar.
- Para la limpieza no verter ningún otro líquido que no sea agua fría del grifo con vinagre por el depósito del agua.

Importante: No dejar la mezcla al alcance de niños.

Limpieza

- Desenchufar siempre la cafetera antes de limpiarla.
- Quitar el portafiltros y limpiar éste, la jarra y la tapa de ésta con una solución de agua caliente y una pequeña cantidad de jabón líquido. Estas partes de la cafetera también se pueden colocar en el nivel superior del lavavajillas para conseguir una limpieza más eficaz.
- No utilizar nunca detergentes.
- No sumergir nunca el propio aparato electrodoméstico en agua ni ningún otro líquido. Para limpiarlo, pasar simplemente un paño suave y húmedo.
- No utiliza nunca un paño para limpiar el interior del depósito del agua, pues podría dejar pelusa dentro del depósito. Lavarlo con agua caliente periódicamente.

Accesorios

Paquete con dos filtros dobles	Modelo # 472
Filtro Gold Tone	Modelo # 026
Filtro de papel	Modelo # 983
Jarra de cristal con tapa	Modelo # 589

Puede adquirir accesorios KRUPS en cualquier minorista local de productos KRUPS o llamando al Departamento de Atención al Consumidor de KRUPS al 1-800-526-5377, las 24 horas del día durante los 7 días de la semana.

Alojamiento oculto del cable eléctrico

- Se puede utilizar la longitud deseada del cable eléctrico utilizando para ello el alojamiento para ocultar el cable, situado en la parte de atrás de la cafetera (**ver figura 6**).

Para conseguir los mejores resultados

..... utilizar siempre agua fría potable (el agua caliente podría tener deterioradas sus propiedades y tener acumulaciones de minerales que podrían estropear el aroma del café).

..... le recomendamos moler su propio café. Los granos recién molidos despiden más aroma y sabor. Utilice una cuchara de medida KRUPS y ponga una cucharada de granos por taza.

..... sirva el café inmediatamente después de hacerlo.

..... no recaliente nunca el café.

Garantía limitada de un año

Su aparato KRUPS #466 o #467 está cubierto por la siguiente garantía:

Si durante un año a partir de la fecha de adquisición este producto KRUPS fallase en su funcionamiento debido a defectos de material o de mano de obra, KRUPS Norteamérica reparará o sustituirá, a su parecer, el aparato sin cargo alguno, siempre que el propietario presente una prueba de la fecha de adquisición.

Esta garantía quedará invalidada si el mal funcionamiento fue causado por daños al producto por accidente, mal uso, uso con una frecuencia o voltaje distintos de los marcados en el producto y/o descritos en las instrucciones, maltratos incluyendo manipulaciones, daños de tránsito o uso con fines comerciales. Esta garantía le otorga derechos legales específicos, y Ud. podría tener también otros derechos que pueden variar de un país a otro.

Eliminación

- El paquete comprende exclusivamente materiales no agresivos para el medio ambiente que deberán ser desechados de acuerdo con las leyes de reciclaje locales.
- Para deshacerse del propio electrodoméstico, se pueden consultar los métodos adecuados al departamento correspondiente de las autoridades locales.

GARANTÍA DE RENDIMIENTO

Éste aparato KRUPS de calidad ha sido fabricado siguiendo un código estricto de normas de calidad y, con un mantenimiento mínimo, debería satisfacerle durante muchos años. En todo caso, si se precisaran reparaciones o piezas de recambio durante o después del periodo de garantía, no dude en llamar a nuestro **SERVICIO AL CLIENTE**:

USA: (800) 526 – 5377
Servicio 24 horas, 7 días a la semana.

Canadá: (1) 416 293 9411
De lunes a viernes, de 8 a 16.30 horas.

Usted recibirá las instrucciones necesarias acerca de cómo hacer que reparen su aparato. Igualmente, éste servicio responderá a cualquier pregunta que desee formular relativa a los aparatos. Antes de llamar al Servicio al cliente, asegúrese de que dispone del número del tipo de su aparato KRUPS.

Usted debe estar en posesión de esta información antes de llamar a nuestro Servicio al cliente por que así nos permitirá responder mejor a sus preguntas. El número del tipo se encuentra debajo del aparato.

Éste aparato en concreto es del tipo n° F466 o F467

Cualquier correspondencia general debe dirigirla a:

USA: KRUPS North America, Inc.
P.O. Box 3900
Peoria IL 61612

Canadá: KRUPS Service
A division of Groupe SEB Canada Inc
455 Finchdene Square - Scarborough
Ontario M1X 1B7

